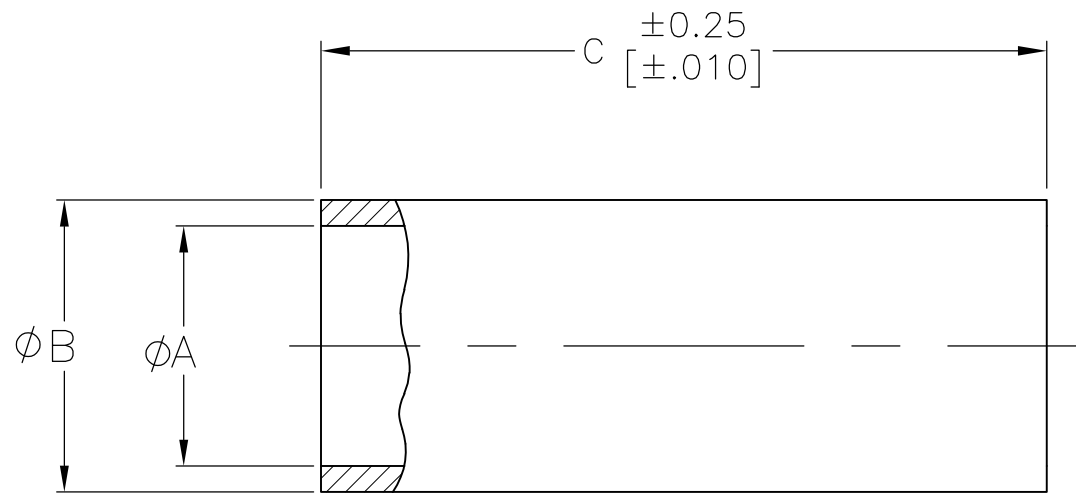


THIS DRAWING IS UNPUBLISHED. RELEASED FOR PUBLICATION  
 © COPYRIGHT BY TYCO ELECTRONICS CORPORATION. ALL RIGHTS RESERVED.

LOC	DIST	REVISIONS					
AJ	16	P	LTR	DESCRIPTION	DATE	DWN	APVD
			G	REVISED PER ECO-10-008433	22MAY10	HMR	KW



9.60 [.380]	4.55 [.179]	3.51 [.138]	△6	9-413889-1
9.60 [.380]	3.86 [.152]	3.20 [.126]	△6	9-413889-0
9.60 [.380]	4.55 [.179]	3.51 [.138]	△4	3-413889-4
7.87 [.310]	3.15 [.124]	2.49 [.098]	△4	3-413889-3
7.87 [.310]	4.55 [.179]	3.20 [.138]	△4	3-413889-2
7.87 [.310]	3.86 [.152]	3.20 [.126]	△4	3-413889-1
7.87 [.310]	3.15 [.124]	2.49 [.098]	△3	3-413889-0
7.87 [.310]	4.55 [.179]	3.51 [.138]	△3	2-413889-7
7.87 [.310]	3.86 [.152]	3.20 [.126]	△3	2-413889-4
9.60 [.380]	3.86 [.152]	3.20 [.126]	△5	2-413889-1
9.60 [.380]	3.86 [.152]	2.67 [.105]	△4	2-413889-0
9.60 [.380]	3.15 [.124]	2.49 [.098]	△4	1-413889-9
9.60 [.380]	4.55 [.179]	3.51 [.138]	△4	1-413889-8
9.60 [.380]	3.86 [.152]	3.20 [.126]	△4	1-413889-7
9.60 [.380]	3.86 [.152]	2.67 [.105]	△3	1-413889-6
9.60 [.380]	3.15 [.124]	2.49 [.098]	△3	1-413889-5
9.60 [.380]	4.55 [.179]	3.51 [.138]	△3	1-413889-4
9.60 [.380]	3.86 [.152]	3.20 [.126]	△3	1-413889-3
9.60 [.380]	3.86 [.152]	2.67 [.105]	△2	1-413889-2
9.60 [.380]	3.15 [.124]	2.49 [.098]	△2	413889-9
9.60 [.380]	4.55 [.179]	3.51 [.138]	△2	413889-6
9.60 [.380]	3.86 [.152]	3.20 [.126]	△2	413889-3

C	B	A	FINISH	PART NUMBER
---	---	---	--------	-------------

- △1 COPPER ALLOY
- △2 BRIGHT TIN-LEAD PLATE PER ASTM B 545 WITH SUPPLEMENTAL ANTI-FRETTING LUBRICANT.
- △3 NICKEL PLATE.
- △4 GOLD PLATE
- △5 BLACK NICKEL PLATE.
- △6 TIN PLATE PER ASTM B 545 WITH SUPPLEMENTAL ANTI-FRETTING LUBRICANT.

OBSOLETE

THIS DRAWING IS A CONTROLLED DOCUMENT.		DWN	M. O'BRINE	29OCT99	Tyco Electronics Corporation Harrisburg, Pa 17105-3608
DIMENSIONS: mm [INCHES]		CHK	B. MOYER	29OCT99	
		APVD	B. MOYER	29OCT99	
TOLERANCES UNLESS OTHERWISE SPECIFIED:		PRODUCT SPEC		NAME	
0 PLC ± -		-		FERRULE	
1 PLC ± -		-		-	
2 PLC ± 0.05 [.002]		APPLICATION SPEC		-	
3 PLC ± -		-		-	
4 PLC ± -		-		-	
ANGLES ± -		-		-	
MATERIAL		WEIGHT		-	
△1		-		-	
FINISH		CUSTOMER DRAWING		-	
SEE TABLE		-		-	
		SIZE	A3	CAGE CODE	00779
		DRAWING NO	G-413889		RESTRICTED TO
		SCALE		10:1	-
		SHEET		1 OF 1	REV
				G	